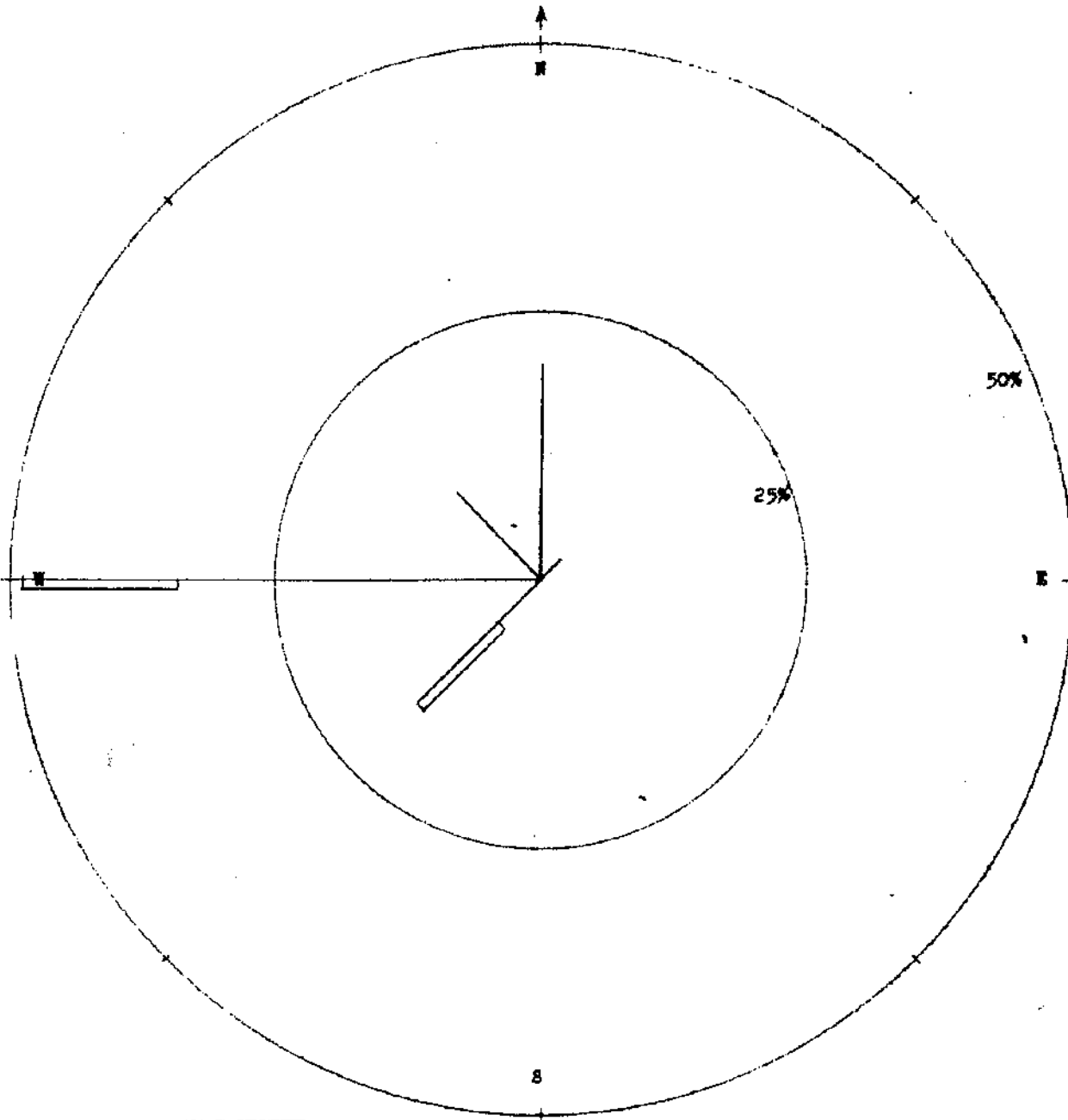


WIND ROSE

SRE-December 1959



LEGEND

3 -15 15-31 31+

Windspeed
in miles per hour

Calm 0-5 MPH 0%

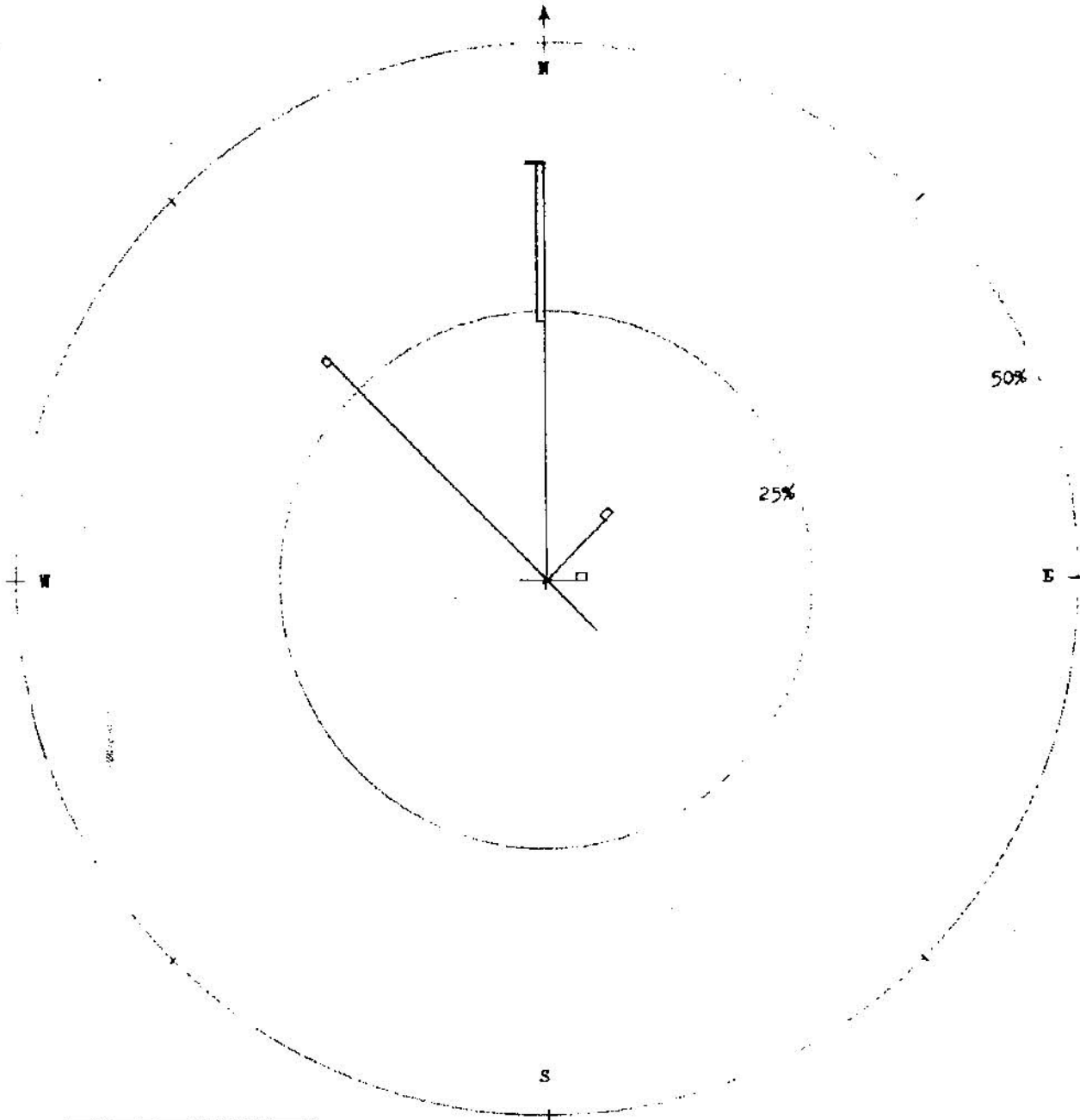
Values indicated represent 2%
of possible monthly observations.

NOVEMBER 1959
HYGRO THERMOGRAPHE DATA

Date	Max.	Time of Max Temp.	Min. Temp	SRE		Hours Below Freezing	Precipitation
				Time of Min Temp.	Average Daily Temp		
1	71	1500	56	0700	63.5	0	0
2	66	1400	53	2200	59.5	0	0
3	60	1200	50	2400	55.0	0	0
4	69	1300	50	0600	59.5	0	0
5	70	1300	58	2400	64.0	0	0
6	74	1400	60	0600	67.0	0	0
7	82	1300	62	0100	72.0	0	0
8	80	1400	60	0300	70.0	0	0
9	84	1300	59	0600	71.5	0	0
10	82	1200	60	0600	71.0	0	0
11	80	1300					0
12	73	1200	55	0700	64.0	0	0
13	70	1500	50	0600	60.0	0	0
14	66	1400	53	0700	59.5	0	0
15	58	1300	50	2400	54.0	0	0
16	75	1300	49	0600	62.0	0	0
17	78	1300	54	0600	66.0	0	0
18	75	1500	56	1900	65.5	0	0
19	70	1300	52	0700	61.0	0	0
20	76	1400	57	0700	66.5	0	0
21	80	1400	60	2400	70.0	0	0
22	70	1200	60	0001	65.0	0	0
23	80	1300	60	0200	70.0	0	0
24	86	1300	64	2400	75.0	0	0
25	83	1200	64	0500	73.5	0	0
26	76	1300	62	2400	69.0	0	0
27	74	1300	58	0600	66.0	0	0
28	76	1400	56	0700	66.0	0	0
29	78	1400	59	0400	68.5	0	0
30	83	1400	63	0700	73.0	0	0
Ave:	74.8		56.8		65.7		
Total:						0	0

WIND ROSE

SRE - November 1959



LEGEND

3 -15 15-31 31+

Windspeed
in miles per hour

Calm 0-3 MPH 9.9%

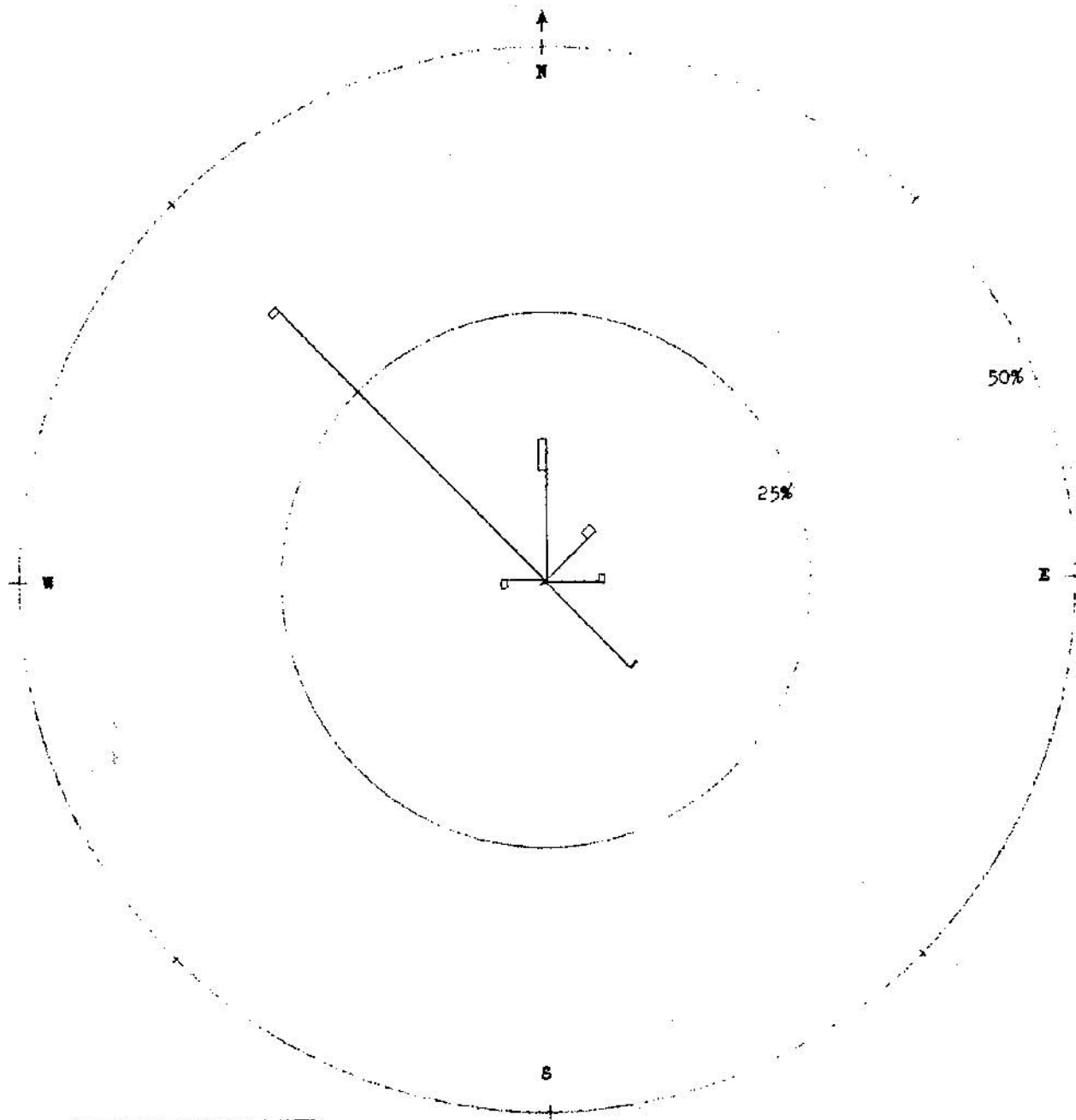
Values indicated represent 32%
of possible monthly observations.

SRE HYGROTHERMOGRAPH DATA

October 1959

Date	Max. Temp	Time of Max. Temp	Min. Temp	Time of Min. Temp	Average Daily Temp.	Hours below Freezing	Precipitation (inches)
1	73	1200	54	0600	63.5	0	0
2	79	1300	55	0400	67.0	0	0
3	84	1400	63	0500	73.5	0	0
4	85	1200	61	0600	73.0	0	0
5	82	1300	63	0500	72.5	0	0
6	73	1200	58	2400	65.5	0	0
7	74	1300	54	0600	64.0	0	0
8	76	1300	58	0700	67.0	0	0
9	80	1200	64	0400	72.0	0	0
10	85	1300	61	0200	73.0	0	0
11	83	1400	63	2400	73.0	0	0
12	80	1300	60	0300	70.0	0	0
13	86	1400	67	0200	76.5	0	0
14	95	1300	72	0200	83.5	0	0
15	97	1300	71	0600	84.0	0	0
16	93	1200	70	0600	81.5	0	0
17	96	1200	70	0300	83.0	0	0
18	82	1100	62	2400	72.0	0	0
19	72	1300	54	0500	63.0	0	0
20	72	1400	53	0600	62.5	0	0
21							
22	92	1400	70	0600	81.0	0	0
23	99	1400	76	2000	87.5	0	0
24	93	1200	61	2400	77.0	0	0
25	71	1300	59	0700	65.0	0	0
26	63	1200	58	2400	60.5	0	0
27	63	1300	58	2400	60.5	0	0
28	70	1200	56	0600	63.0	0	0
29	69	1100	52	2400	60.5	0	0
30	67	1300	48	0500	57.5	0	0
31	70	1200	53	0700	61.5	0	0
Average: 80.1			60.8		70.4		
Total:						0	0

WIND ROSE
SRE - October 1959



LEGEND			
3	-15	15-31	31+
Windspeed in miles per hour			

Calm 0-3 MPH 22.4%

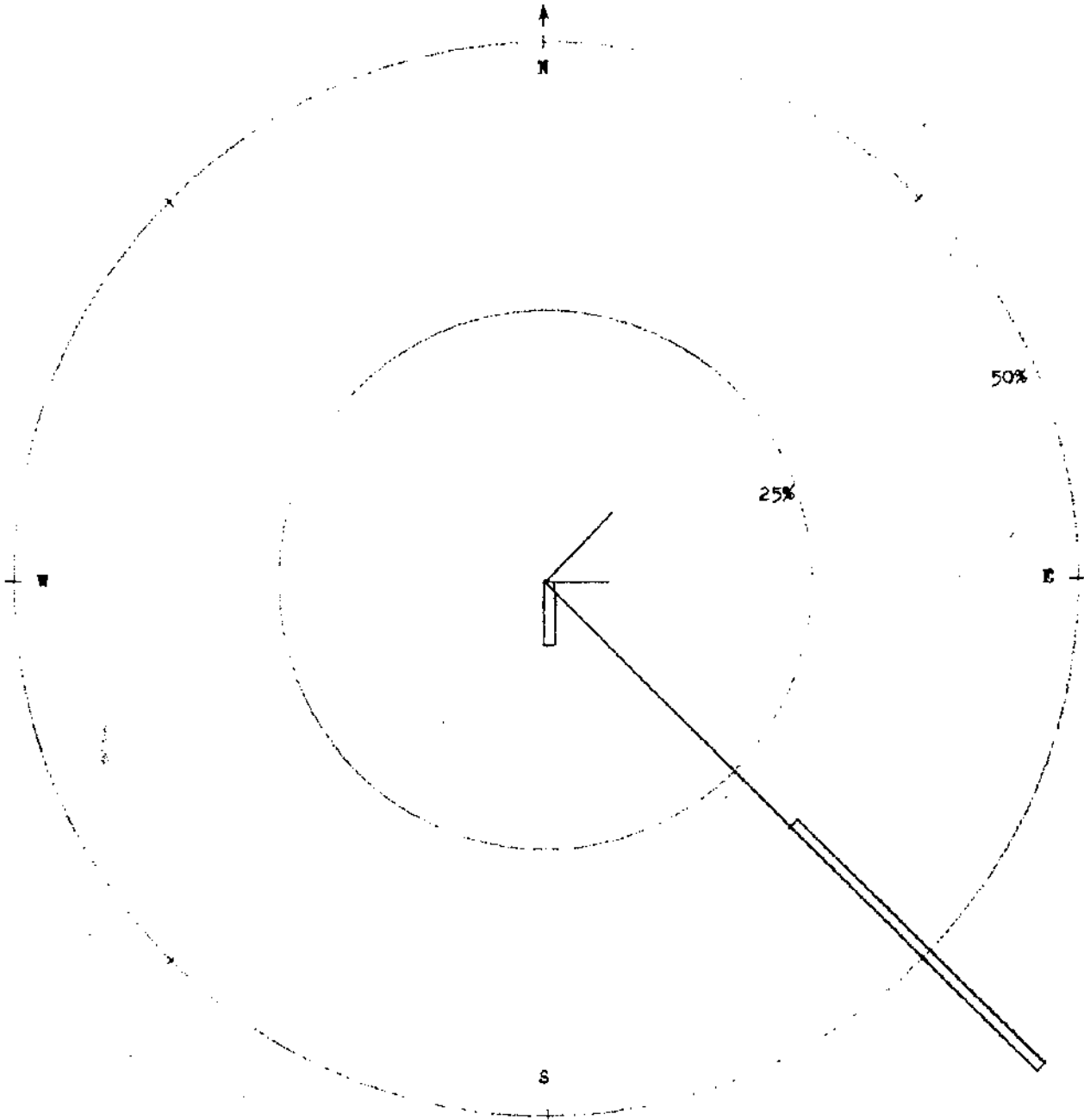
Values indicated represent 78%
of possible monthly observations.

SEPTEMBER 1959

Date	Max. Temp.	Time of Max. Temp.	Min. Temp.	Time of Min. Temp.	Average Daily Temp.	Hours below Zero	Precipitation
1	88	1200	68	0700	78.0	0	0
2	82	1300	62	0700	72.0	0	0
3	78	1400	57	0600	67.5	0	0
4	86	1300	67	0700	76.5	0	0
5	88	1400	70	0600	79.0	0	0
6	84	1400	66	0700	75.0	0	0
7	87	1300	61	0700	74.0	0	0
8	89	1300	62	0700	75.5	0	0
9	89	1100	66	0300	77.5	0	0
10	97	1300	73	0300	85.0	0	0
11	96	1200	79	2400	87.5	0	0
12	90	1400	73	0600	81.5	0	0
13	90	1200	71	0700	80.5	0	0
14	79	1300	62	0700	70.5	0	0
15	74	1300	59	0700	66.5	0	0
16	66	1200	55	2400	60.5	0	0
17	70	1500	54	0700	62.0	0	0
18	72	1500	58	0300	65.0	0	0
19	70	1400	59	0600	64.5	0	0
20	75	1300	60	0100	67.5	0	0
21	78	1300	60	0600	69.0	0	0
22	69	1300	56	2400	62.5	0	0
23	73	1100	57	2300	65.0	0	0
24	80	1200	56	0400	68.0	0	0
25	78	1200	54	0400	66.0	0	0
26	77	1300	59	2400	68.0	0	0
27	72	1300	59	0100	65.5	0	0
28	69	1300	58	0300	63.5	0	0
29	80	1300	56	0500	68.	0	0
30	66	1200	54	2400	60.	0	Trace
Average:	79.7		61.7		70.7		
Total:						0	Trace

WIND ROSE

SRE - September 1959



LEGEND

3 -15 15-31 31+
Windspeed
in miles per hour

Calm 0-3 MPH 8.8%

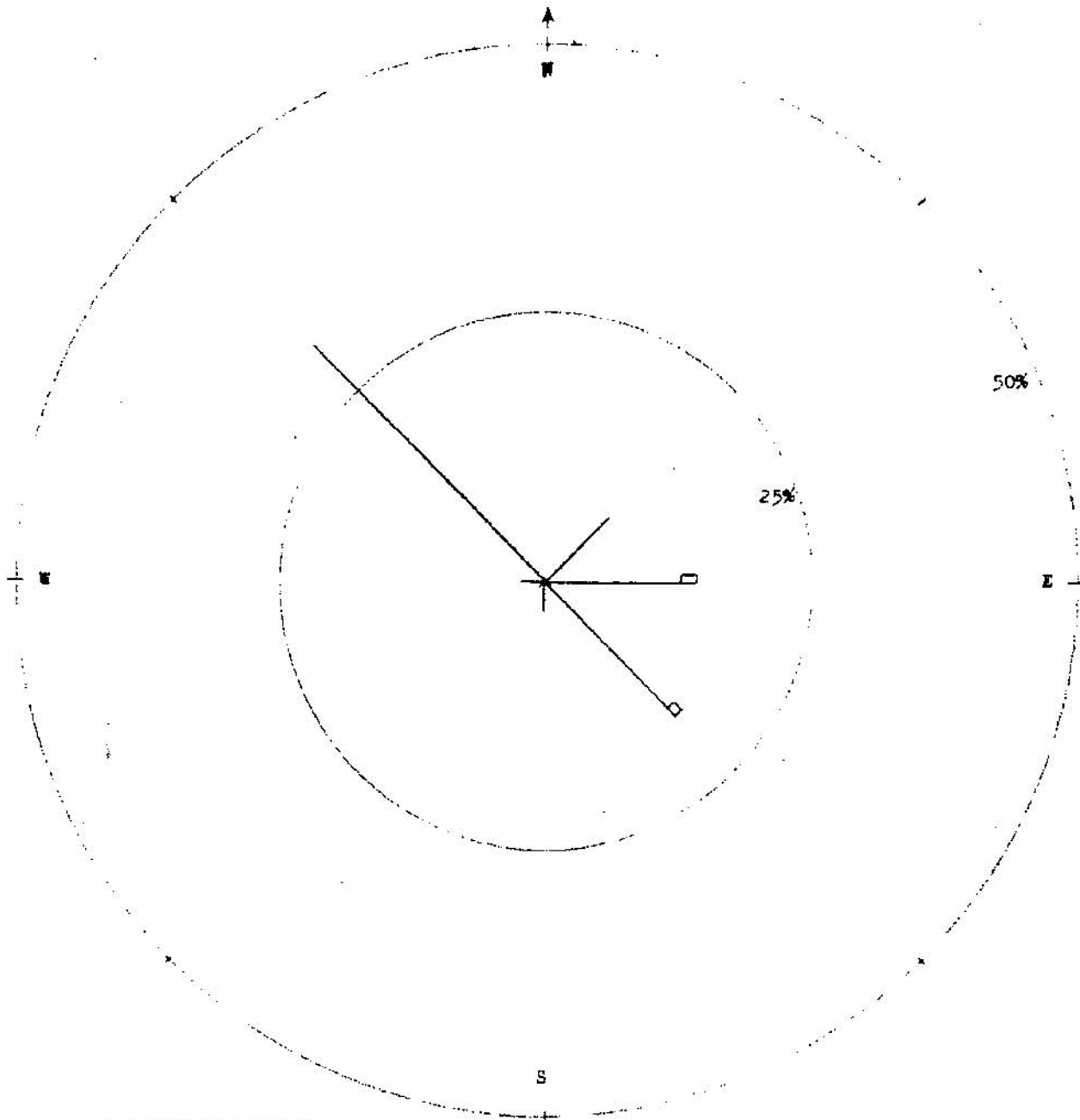
Values indicated represent 2%
of possible monthly observations.

August 1959

Date	Max. Temp	Time of Max.Temp	Min. Temp.	Time of Min.Temp.	Ave. Daily Temp.	Hours below Freezing	Precipitat
1	100	1200	81	0300	90.5	0	0
2	92	1400	72	0100	82.0	0	0
3	91	1300	62	0600	76.5	0	0
4	82	1400	63	0600	72.5	0	0
5	87	1500	66	0600	76.5	0	0
6	90	1400	70	0100	80.0	0	0
7	90	1200	70	0600	80.0	0	0
8							0
9							0
10							0
11							0
12							0
13							0
14	83	1400	62	0600	72.5	0	0
15	82	1300	62	0600	72.0	0	0
16	80	1300	61	0600	70.5	0	0
17	76	1400	60	0700	68.0	0	0
18	74	1400	60	0600	67.0	0	0
19	68	1400	58	2400	63.0	0	0
20	72	1500	56	0700	64.0	0	0
21	86	1400	60	0700	73.0	0	0
22	94	1300	69	0200	81.5	0	0
23	90	1500	71	2400	80.5	0	0
24	82	1200	64	0700	73.0	0	0
25							
26	78	1400	62	0400	70.0	0	0
27	80	1500	60	0400	70.0	0	0
28	82	1500	57	0700	69.5	0	0
29	84	1400	64	0700	74.0	0	0
30	89	1400	65	0700	77.0	0	0
31	92	1200	70	0700	81.0	0	0
Ave: 84.33			64.37		74.35		
Total:						0	0

WIND ROSE

SRE - August 1959



LEGEND

3 -15 15-31 31+

Windspeed
in miles per hour

Calm 0-3 MPH 24.6%

Values indicated represent 34%
of possible monthly observations.

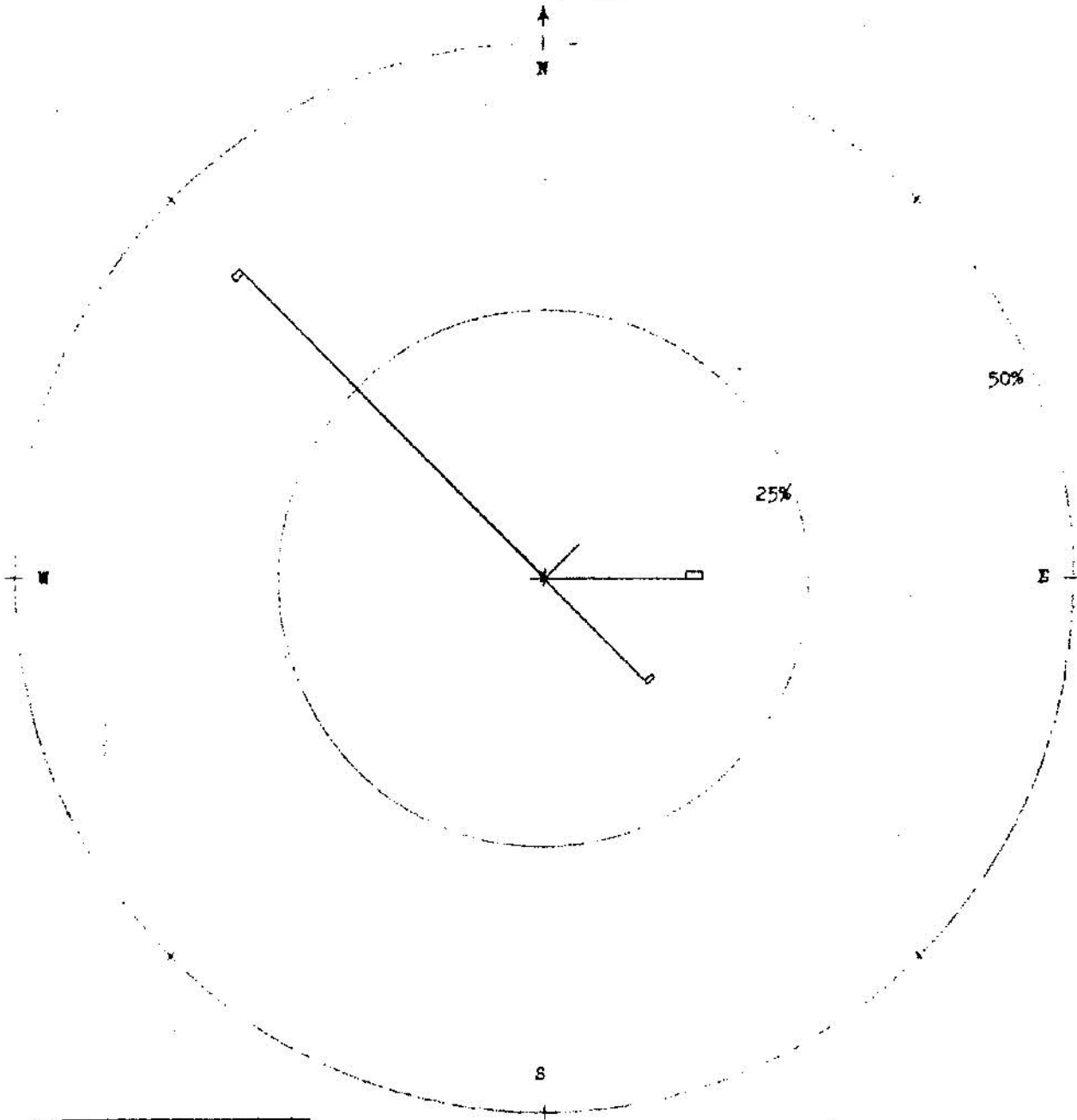
DATA SHEET

July 1959

Date	Max. Temp.	Time of Max. Temp.	Min. Temp.	Time of Min. Temp.	Average Daily Temp.	Hours below freezing	Precipitation in inc
1	84	1200	68	0500	76	0	0
2	87	1300	70	0500	78.5	0	0
3	88	1200	68	0600	78.0	0	0
4	88	1200	67	0600	77.5	0	0
5	86	1300	63	0600	74.5	0	0
6	85	1100	64	0700	74.5	0	0
7	88	1300	66	0600	77.0	0	0
8	91	1300	67	0400	79.0	0	0
9	102	1300	76	0600	89.0	0	0
10	102	1300	79	0100	90.5	0	0
11	100	1300	78	0600	89.0	0	0
12	94	1300	74	0700	84.0	0	0
13	90	1300	68	0600	79.0	0	0
14	89	1300	62	0600	75.5	0	0
15	86	1400	60	0700	73.0	0	0
16	86	1600	66	0600	76.0	0	0
17	86	1300	66	0500	76.0	0	0
18	82	1400	64	0800	73.0	0	0
19	89	1300	68	0600	78.5	0	0
20	86	1300	64	0600	75.0	0	0
21	84	1200	64	0400	74.0	0	0
22	86	1700	64	0001	75.0	0	0
23	90	1300	67	0500	78.5	0	0
24	100	1400	72	0100	86.0	0	0
25	97	1400	76	0400	86.5	0	0
26	92	1200	69	2400	80.5	0	0
27	90	1200	66	0800	78.0	0	0
28	85	1300	64	0700	74.5	0	0
29	83	1400	62	0600	72.5	0	0
30	94	1300	67	0100	80.5	0	0
31	95	1700	76	001	85.5	0	0
Average:	89.8		67.9		78.8		
Total :						0	0

WIND ROSE

SRE - July 1959



LEGEND

3 -15	15-31	31+
Wind speed in miles per hour		

Calm 0-3 MPH 23.1%

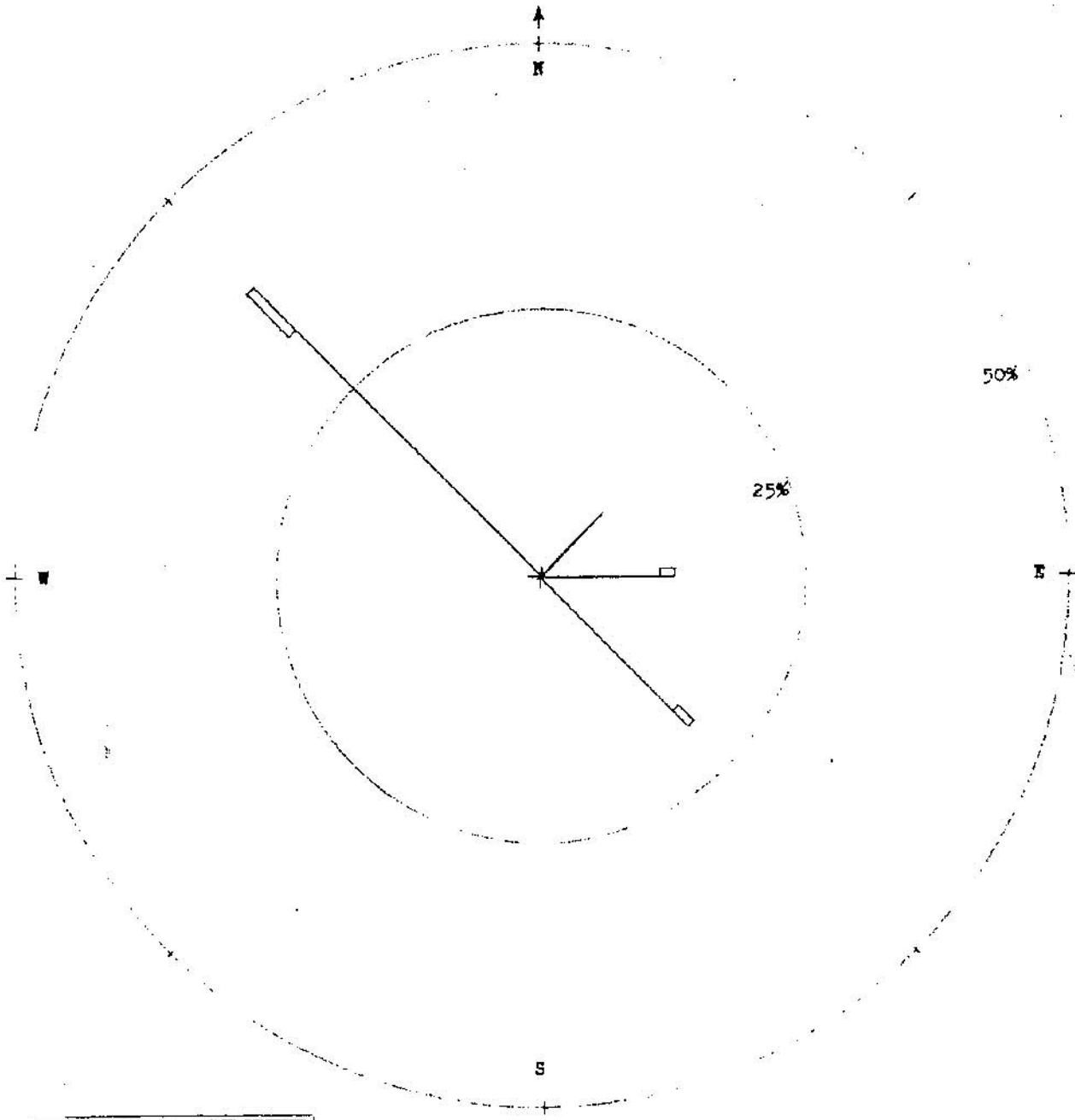
Values indicated represent 58%
of possible monthly observations.

JUNE 1959

Date	Max. Temp.	Time of Max. Temp.	Min. Temp.	Time of Min. Temp.	Average Daily Temp.	Hours Below Freezing	Precipitation in inches
1	75	1300	54	0600	64.5	0	0
2	78	1200	58	0500	68.0	0	0
3	77	1200	59	0600	68.0	0	0
4	78	1600	57	0600	67.5	0	0
5	80	1400	58	0500	69.0	0	0
6	74	1400	55	0500	64.5	0	0
7	74	1400	56	0700	65.0	0	0
8	76	1300	56	0700	66.0	0	0
9	74	1400	55	0700	64.5	0	0
10	76	1400	56	0600	66.0	0	0
11	86	1200	58	0400	72.0	0	0
12	82	1500	63	0400	72.5	0	0
13	84	1200	62	0600	73.0	0	0
14	90	1300	66	0400	78.0	0	0
15	82	1300	63	0500	72.5	0	0
16	80	1400	59	0500	69.5	0	0
17	86	1200	63	0500	74.5	0	0
18	88	1300	67	0500	77.5	0	0
19	91	1200	66	0400	78.5	0	0
20	96	1100	69	0100	82.5	0	0
21	93	1200	75	0600	84.0	0	0
22	94	1300	70	0500	82.0	0	0
23	93	1300	66	0400	79.5	0	0
24	84	1100	61	0600	72.5	0	0
25	78	1600	60	0600	69.0	0	0
26	83	1500	62	0600	72.5	0	0
27	78	1400	60	0600	69.0	0	0
28	68	1200	60	0700	64.0	0	0
29	83	1400	60	0600	71.5	0	0
30	87	1300	62	0200	74.5	0	0
AVE	82.2		61.2		71.7		
TOTAL:						0	0

WIND ROSE

SRE - June 1959



LEGEND

3	15	15-31	31+
---	----	-------	-----

Windspeed
in miles per hour

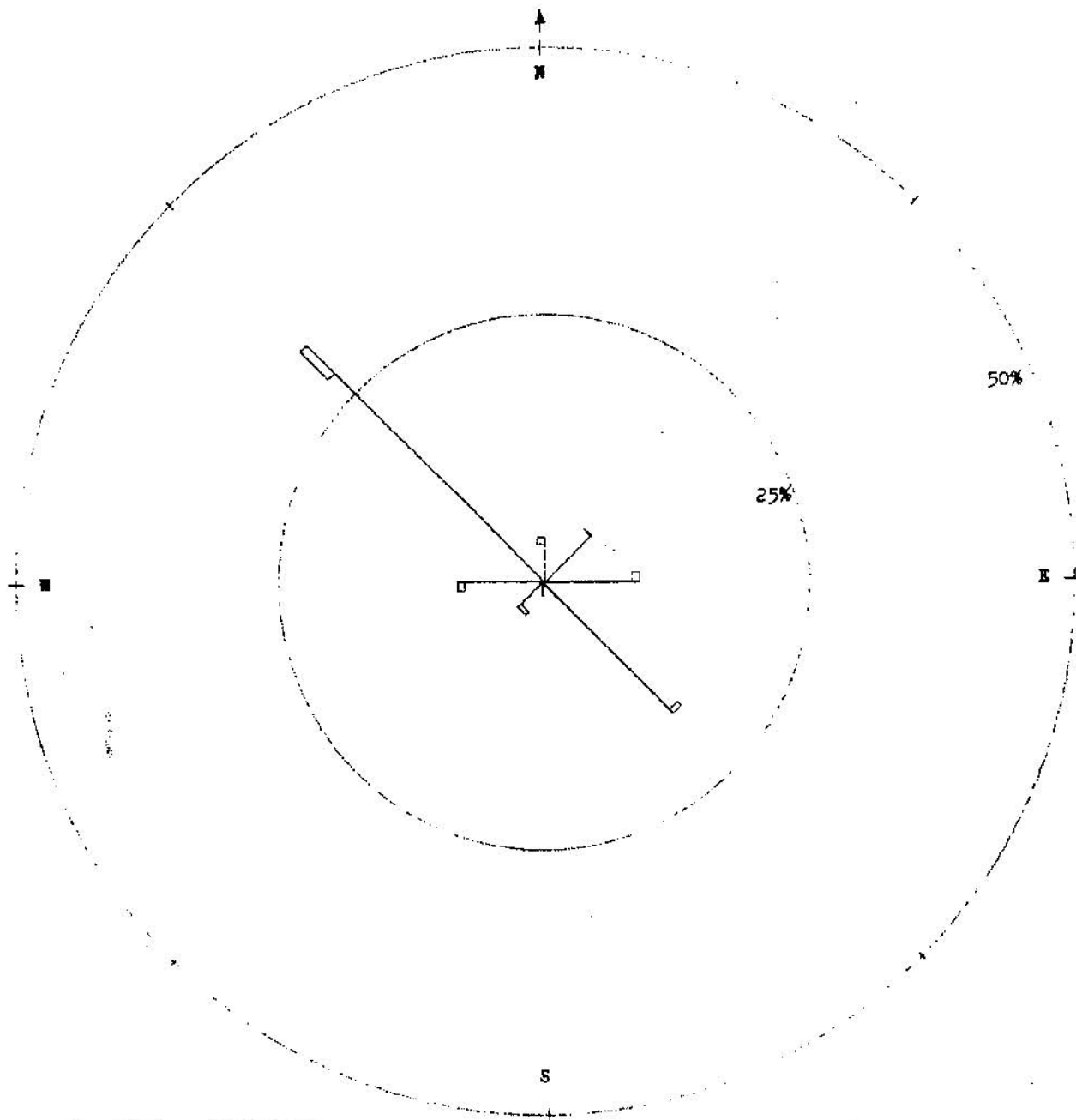
Calm 0-3 MPH 17.8%

Values indicated represent 62%
of possible monthly observations.

MAY 1959

Date	Max Temp.	Time of Max. Temp.	Min. Temp.	Time of Min. Temp.	Average Daily Temp.	Hours below freezing	Precipitation in i
1	63	1600	48	2400	55.5	0	0
2	62	1200	47	0300	54.5	0	0
3	59	1300	46	2400	52.5	0	0
4	68	1300	45	0300	56.5	0	0
5	73	1400	51	0600	62.0	0	0
6	84	1400	60	0600	72.0	0	0
7	86	1300	59	2400	72.5	0	0
8	74	1300	53	0700	63.5	0	0
9	70	1300	53	0600	61.5	0	0
10	76	1300	51	0700	63.5	0	0
11	78	1200	53	0800	65.5	0	0
12	67	1600	54	0400	60.5	0	0
13	70	1300	53	2400	61.5	0	0
14	74	1200	53	0001	63.5	0	0
15	74	1300	54	0600	64.0	0	0
16	75	1500	54	0500	64.5	0	0
17	72	1400	53	0700	62.5	0	0
18	70	1300	53	0700	61.5	0	0
19	76	1300	54	0600	65.0	0	0
20	73	1200	52	0500	62.5	0	0
21	70	1300	53	0600	61.5	0	0
22	61	1200	54	0600	57.5	0	0
23	65	1500	50	2400	57.5	0	0
24	62	1300	50	0600	56.0	0	0
25	68	1400	52	0600	60.0	0	0
26	68	1300	54	0600	61.0	0	0
27	66	1400	54	0600	60.0	0	0
28	71	1400	52	0600	61.5	0	0
29	79	1500	52	0400	65.5	0	0
30	70	1400	52	0500	61.0	0	0
31	72	1400	51	0600	61.5	0	0
Average	70.8		52.2		61.5		
Total						0	0

WIND ROSE
SRE - May 1959



Calm 0-3 MPH 19.9%

LEGEND

3 -15	15-31	31+

Windspeed
in miles per hour

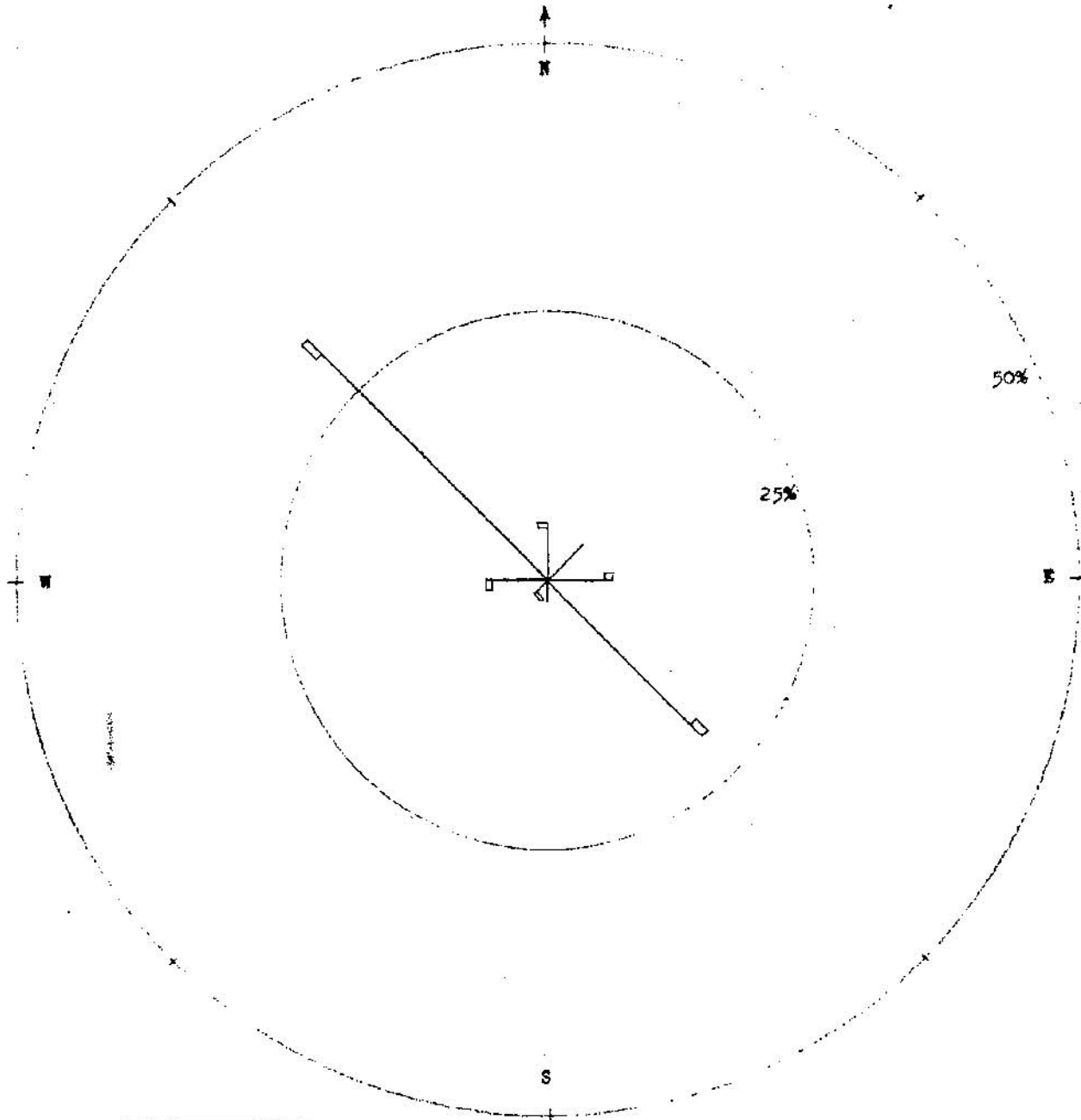
Values indicated represent 92%
of possible monthly observations.

APRIL 1959

Date	Max. Temp.	Time of Max. Temp.	Min. Temp.	Time of Min. Temp.	Average Daily Temp.	Hours below freezing	Precipitation in inc.
1	Hygro-Thermograph not in service 3-30-59 to 4-19-59						
2	due to servicing and recalibration.						
3							
4							
5							
6							
7							
8							
9							
10							
11							
12							
13							
14							
15							
16							
17							
18							
19							
20	70	1300	53	2400	61.5	0	0
21	72	1300	51	0400	61.5	0	0
22	78	1300	53	0400	65.5	0	0
23	80	1200	54	2400	67.0	0	0
24	66	1500	52	2200	59.0	0	0
25	56	1000	51	0500	53.5	0	0
26	64	1300	54	0500	59.0	0	0
27	80	1300	54	0600	67.0	0	0
28	90	1400	62	0300	76.0	0	0
29	95	1300	67	0200	81.0	0	0
30	78	1400	57	2400	67.5	0	0
Averages	75.3		55.2		65.3		
Total						0	0

WIND ROSE

SRE - April 1959



LEGEND

3 -15 15-31 31+
Windspeed
in miles per hour

Calm 0-3 MPH 22.9%

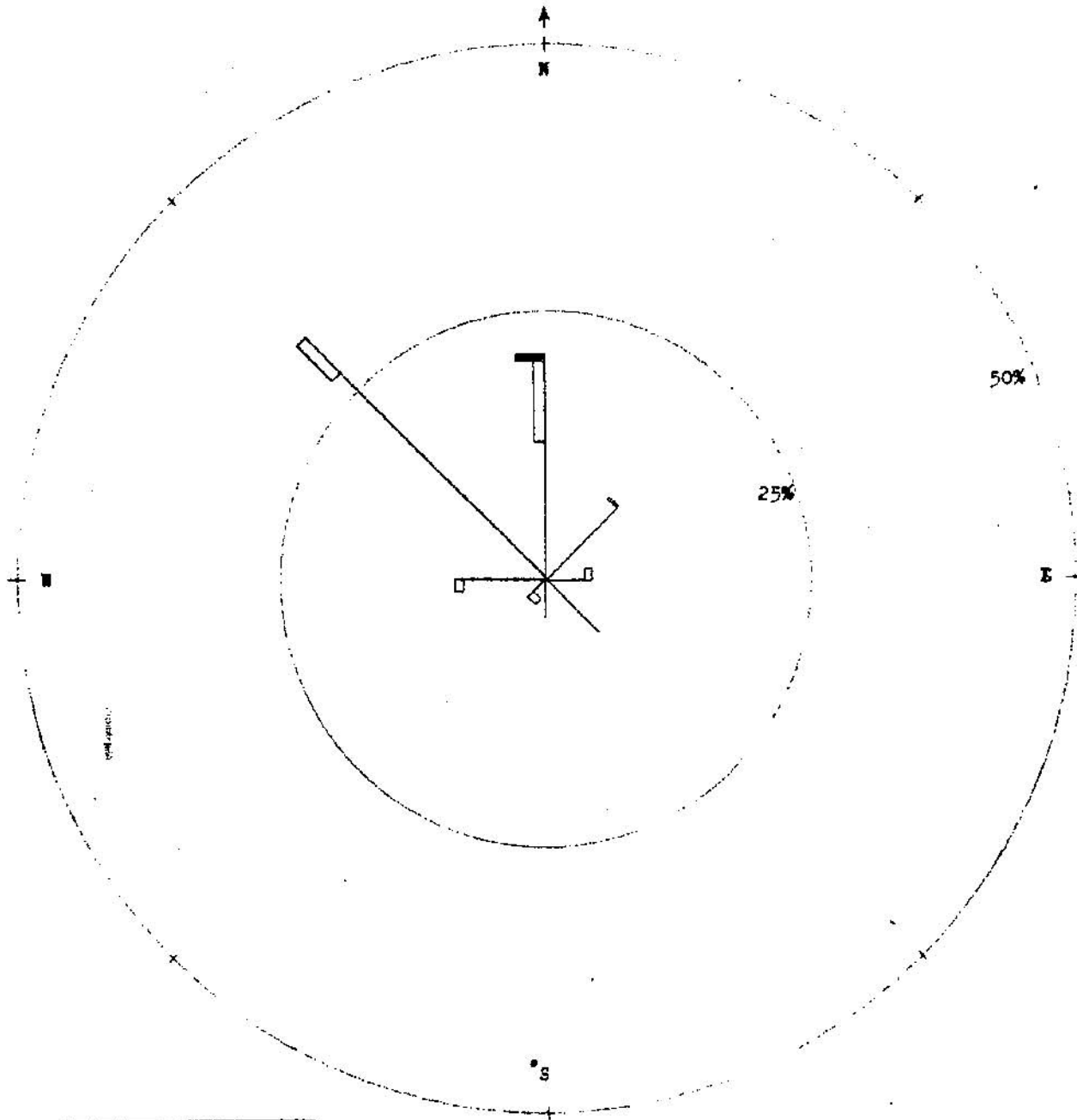
Values indicated represent 82%
of possible monthly observations.

MARCH 1959

Date	Max. Temp.	Time of Max. Temp.	Min. Temp.	Time of Min. Temp.	Average Daily Temp.	Hours below freezing	Precipitation in inc.
1	54	1500	39	0500	46.5	0	0
2	80	1400	45	0600	62.5	0	0
3	92	1200	64	0600	78.0	0	0
4	88	1500	59	2400	73.5	0	0
5	88	1300	56	2300	72.0	0	0
6	70	1300	50	0600	60.0	0	0
7	69	1200	52	0500	60.5	0	0
8	81	1200	53	0100	67.0	0	0
9	74	1400	60	2400	67.0	0	0
10	82	1500	60	0600	71.0	0	0
11	76	1300	61	2400	68.5	0	0
12	84	1400	57	0600	70.5	0	0
13	76	1200	58	2400	67.0	0	0
14	72	1300	52	0700	62.0	0	0
15	74	1500	59	0500	66.5	0	0
16	80	1300	58	0400	69.0	0	0
17	78	1300	60	2300	69.0	0	0
18	71	1300	55	0700	63.0	0	0
19	75	1400	51	0600	63.0	0	0
20	82	1400	56	0001	69.0	0	0
21	75	1200	55	2400	65.0	0	0
22	60	1200	49	2200	54.5	0	0
23	60	1400	49	0700	54.5	0	0
24	65	1400	53	2200	59.0	0	0
25	74	1300	52	0700	63.0	0	0
26	68	1400	53	0600	60.5	0	0
27	78	1400	51	0600	64.5	0	0
28	70	1300	51	0600	60.5	0	0
29	71	1300	51	0600	61.0	0	0
30			50	0700		0	0
31						0	0
Averages 74.7			53.9		64.4		
Total						0	0

WIND ROSE

SRE - March 1959



LEGEND

3 -15	15-31	31+
Windspeed in miles per hour		

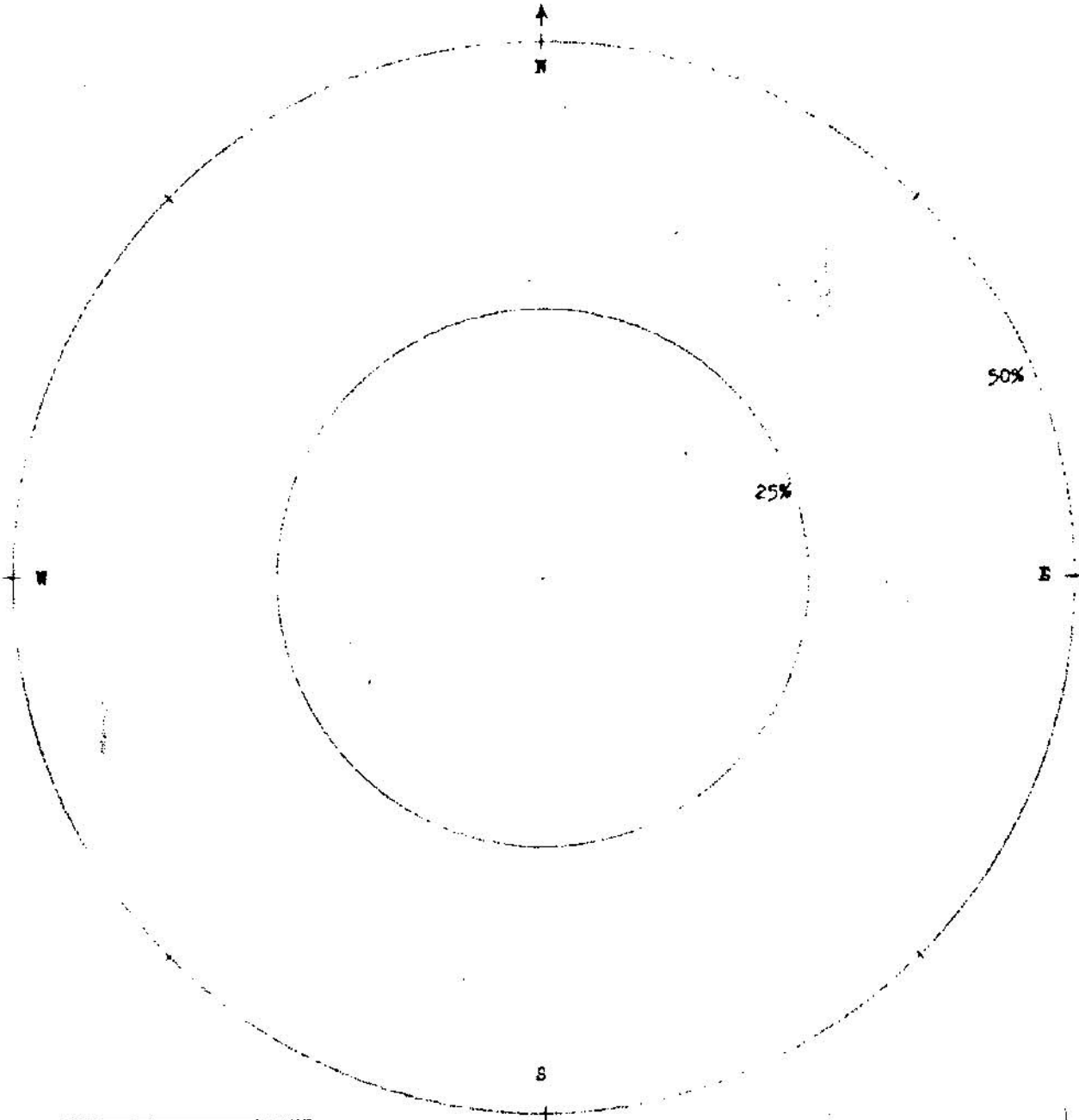
Calm 0-3 MPH 12.7%

Values indicated represent 66%
of possible monthly observations.

FEBRUARY 1959

Date	Max. Temp.	Time of Max. Temp.	Min. Temp.	Time of Min. Temp.	Average Daily Temp.	Hours below freezing	Precipitation in inc.
1	60	1300	46	0500	53	0	0
2	62	1400	48	0500	55	0	0
3	66	1300	48	2400	57	0	0
4	64	1400	48	0600	56	0	0
5	66	1400	44	0700	55	0	0
6	61	1400	48	0400	54.5	0	0
7	51	1500	48	0800	49.5	0	0
8	53	1300	37	0600	45	0	0
9	53	1300	36	0600	44.5	0	0
10	50	1500	43	0700	46.5	0	0
11	50	1400	41	2400	45.5	0	0
12	50	1400	38	0500	44	0	0
13	58	1400	39	0500	48.5	0	0
14	63	1500	42	0600	52.5	0	0
15	57	1300	46	2400	51.5	0	.4
16	58	0200	45	0100	51.5	0	.7
17							.1
18	56	1100	48	2400	52	0	.3
19	58	1300	45	0700	51.5	0	0
20	55	1200	45	0300	50	0	.95
21							.35
22	54	1500	40	0500	47	0	0
23	67	1200	45	0700	56	0	0
24	64	1300	46	0300	55	0	0
25	84	1300	50	0600	67	0	0
26	75	1400	54	0600	64.5	0	0
27	86	1300	53	0700	69.5	0	0
28	79	1500	55	0700	67	0	0
Averages:							
	61.5		45.3		53.4		
Total							2.80

WIND ROSE
SRE - February 1959



LEGEND

3 -15 15-31 31+

Windspeed
in miles per hour

Calm 0-3 MPH

Values indicated represent 100%
of possible monthly observations.

JANUARY 1959

Date	Max. Temp.	Time of Max. Temp.	Min. Temp.	Time of Min. Temp.	Average Daily Temp.	Hours below freezing	Precipitation in inc.
1	70	1300	54	0700	72	0	0
2	60	1400	45	2400	52.5	0	0
3	62	1400	44	0700	53	0	0
4	60	1400	44	0600	52	0	0
5	52	1400	46	0700	49	0	0
6	54	1200	48	0500	51	0	0
7	68	1300	49	0100	58.5	0	0
8	65	1400	50	0600	57.5	0	0
9	67	1300	52	0600	59.5	0	0
10	69	1500	45	0400	57.	0	0
11	74	1500	55	0800	64.5	0	0
12	64	1400	52	0700	58	0	0
13	71	1300	54	2400	62.5	0	0
14	74	1400	54	0100	64	0	0
15	77	1500	55	0600	66	0	0
16	78	1400	58	0700	68	0	0
17	83	1400	59	0800	71	0	0
18	75	1300	60	2400	67.5	0	0
19	70	1300	54	0700	62	0	0
20	56	1500	48	0700	52	0	0
21	63	1300	46	0700	54.5	0	0
22	64	1400	48	0700	56	0	0
23	74	1400	50	0800	62	0	0
24	72	1300	50	2300	61	0	0
25	60	1300	49	0500	54.5	0	0
26	68	1300	51	0800	59.5	0	0
27	74	1500	54	0800	64	0	0
28	79	1500	56	2400	66.5	0	0
29	71	1600	52	0600	61.5	0	0
30	62	1400	48	2300	55.	0	0
31	64	1400	48	0600	56	0	0

Averages 67.7

50.8

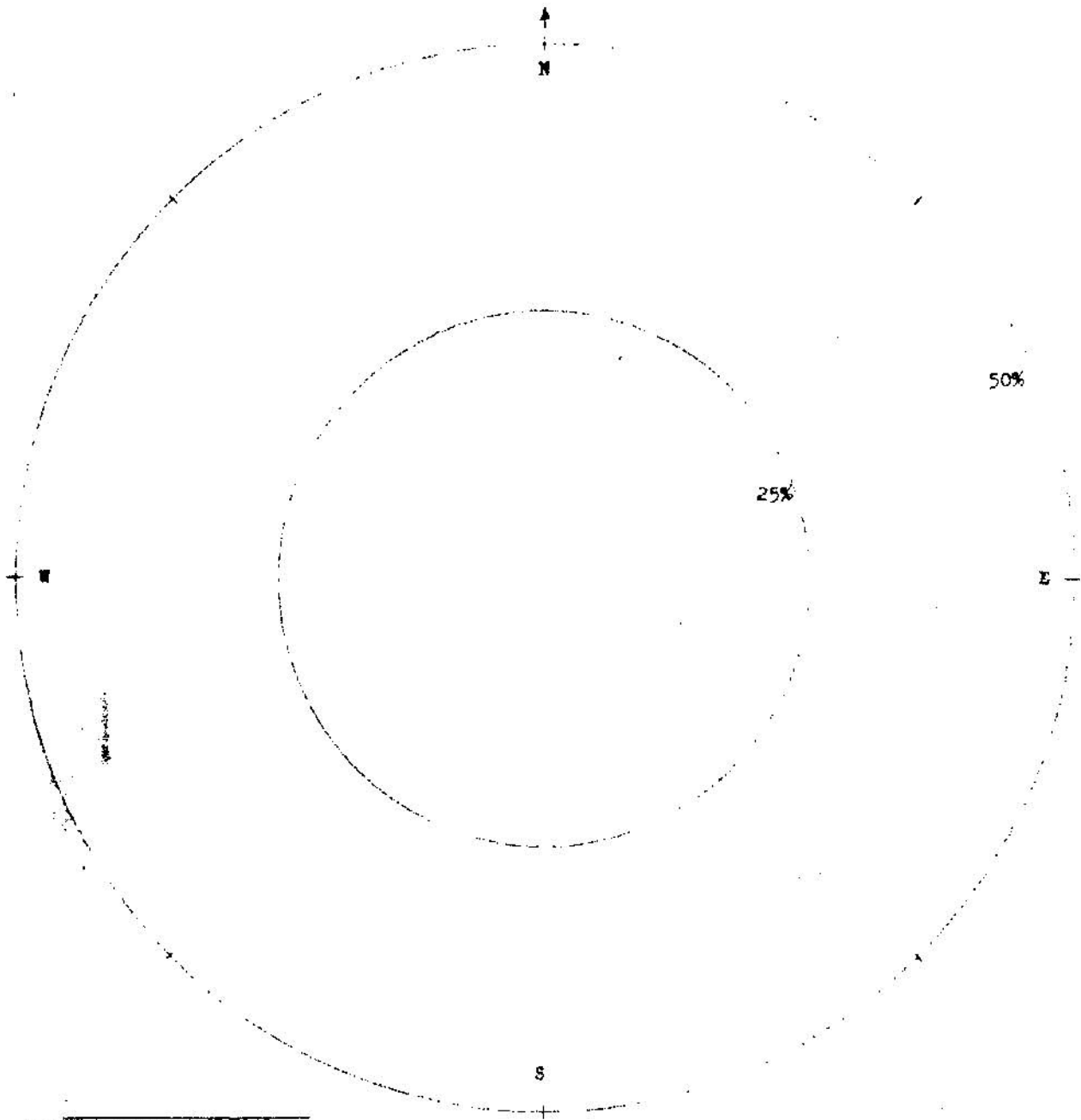
59.6

Total

0

0

WIND ROSE
SRE - January 1959



LEGEND

3 -15 15-31 31+

Windspeed
miles per hour

Calz 0-3 MPH

Values indicated represent 100%
of possible monthly observations.